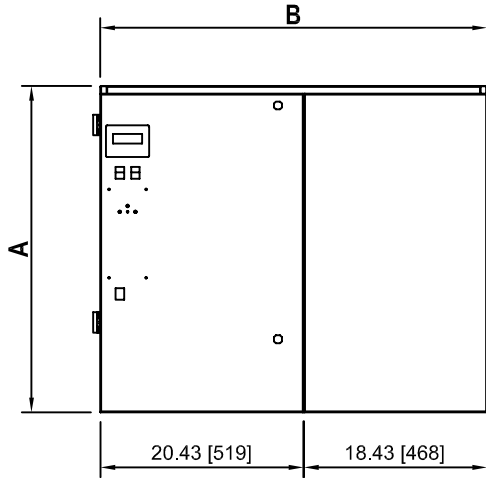
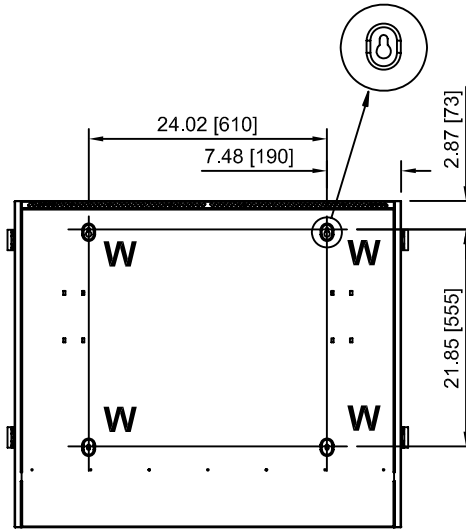


Steam Outlet Pipe Positions

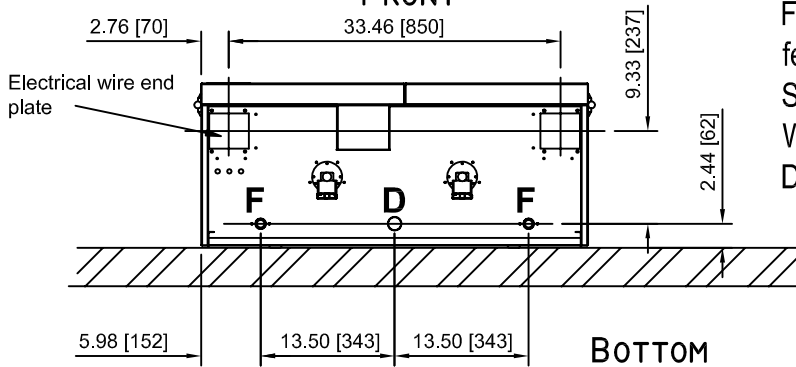


FRONT



BACK

* All dimensions in(mm)



BOTTOM

D= Drain connection 1 3/8"(35mm) non-threaded pipe.
 F= Feedwater connection: 3/4"(19mm) NPT female to female supplied flexible hose connection.
 S= Steam outlets 2 X 2 1/8"(54mm).
 W= Wall mounts 1/2"(13) hole, 1/4"(6) slot.
 Drain Rate: 4.5 gal/min (17.2 L/min) per cylinder

LR Series

LR Model	Nominal Capacity lb/hr. [kg/hr.]	Voltage/Ph	Cylinder 1 Full Load Current (A)	Cylinder 2 Full Load Current (A)	Power (kW)	Steam		Overall Dimensions			Weight		Fill Rate gal/min (L/min)
						Qty	Dim.	Height A	Width B	Depth C	Dry lb. (kg)	Wet lb. (kg)	
LR88	89 [41]	600/3	14,4	14,4	29,9	2	2 1/8" (54mm)	31,9" (810mm)	39,0" (990mm)	16,6" (421mm)	160 (73)	276 (125)	4 (1)
LR96	74 [34]	208/3	34,5	34,5	24,8						160 (73)	276 (125)	
	99 [45]	240/3	39,8	39,8	33,1						162 (74)	278 (126)	
LR112	113 [51]	600/3	22,1	14,4	37,9						162 (74)	278 (126)	4,5 (1,125)
LR122	94 [43]	208/3	52,6	34,5	31,4						160 (73)	276 (125)	
	125 [57]	240/3	60,7	39,8	41,8						164 (75)	281 (128)	
LR128	132 [60]	480/3	26,5	26,5	44,1						164 (75)	281 (128)	5 (1,25)
LR136	137 [62]	600/3	22,1	22,1	45,9						162 (74)	278 (126)	
	113 [51]	208/3	52,6	52,6	37,9						164 (75)	281 (128)	
LR148	151 [68]	240/3	60,7	60,7	50,5						162 (74)	278 (126)	4,5 (1,125)
LR164	166 [76]	480/3	40,5	26,5	55,7						164 (75)	281 (128)	
LR200	201 [91]	480/3	40,5	40,5	59,1						164 (75)	281 (128)	

This information also applies to models with keypad display (D) and pulse modulation (P) e.g. LRPxx-Dx.
 Note: Subtract 15% to Steam Output for all Pulse modulating models (LRP).

Service Clearance		
Top	24"	600mm
Sides	4"	100mm
Rear	0	0
Front	39"	1000mm
Bottom	39"	1000mm



RESISTANCE STEAM HUMIDIFIER
 MODELS LR88, LR96 & LR112-200

TITLE:

PROJECT:

CAPACITY (LB/HR.):

QUANTITY:

REVISION:

DATE:

DRAWING NO: SUB-08-07