

These instructions contain operating information and should be left with the unit.

Vapac[®]

Gas fired Steam Humidifier

Parts List Manual
(Edition 1)

VapaNet

Installation in U.S.A. and Canada

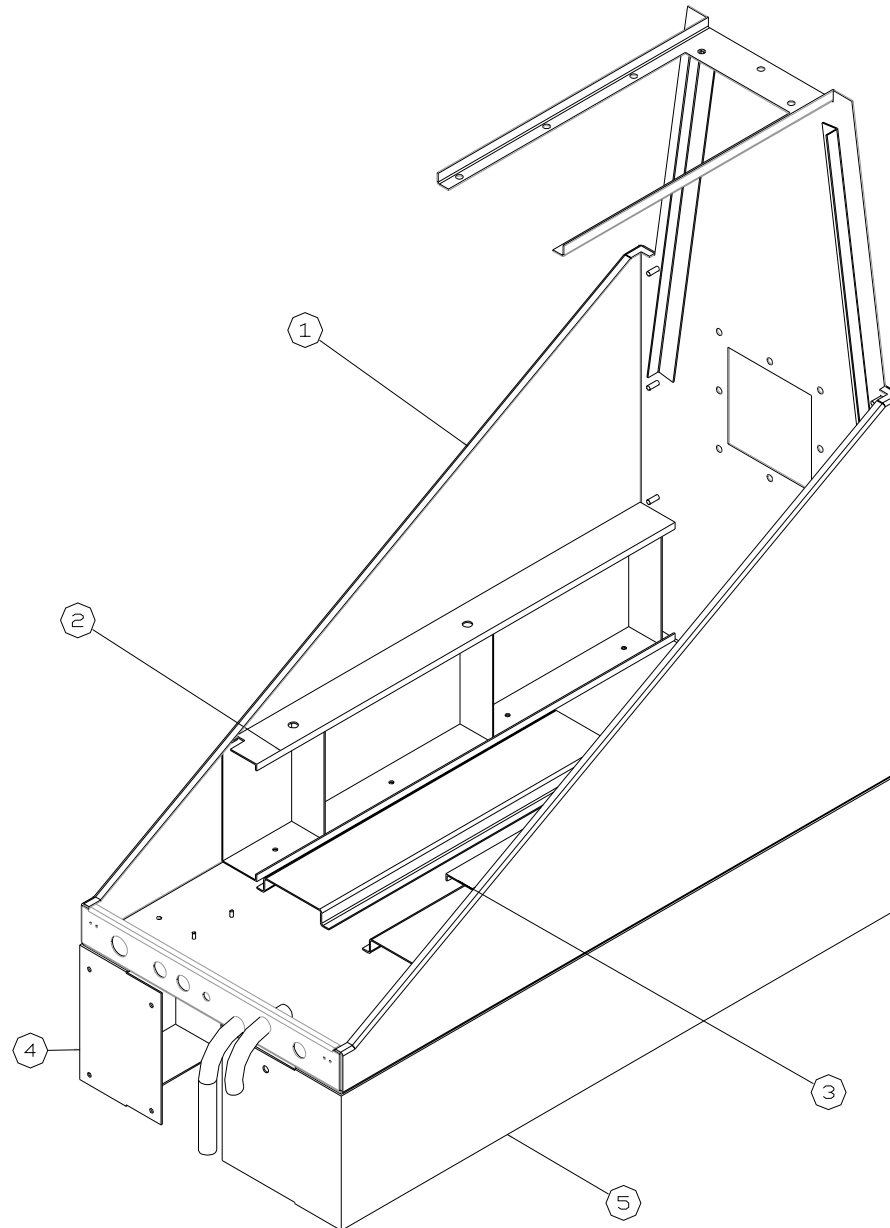
This product will meet the standards of IAS U.S. Requirement for Gas Fired Humidifiers
No. 12 – 94
Draft No. 2

As supplied by International Approval Services – U.S. Operations
Failure to comply with these instructions may invalidate the manufacturers warranty or any
certificate/declaration of conformance requested to be supplied with the unit

Contents

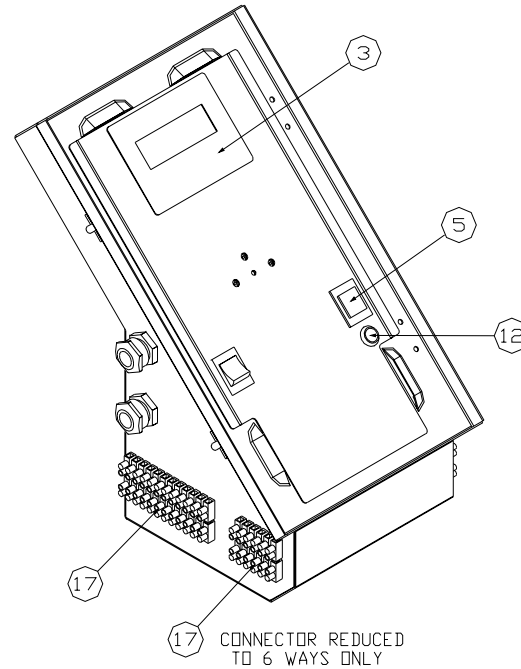
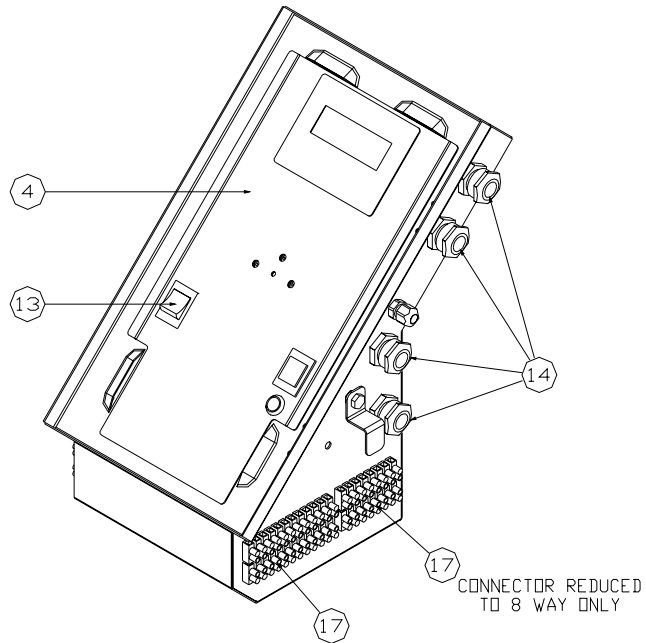
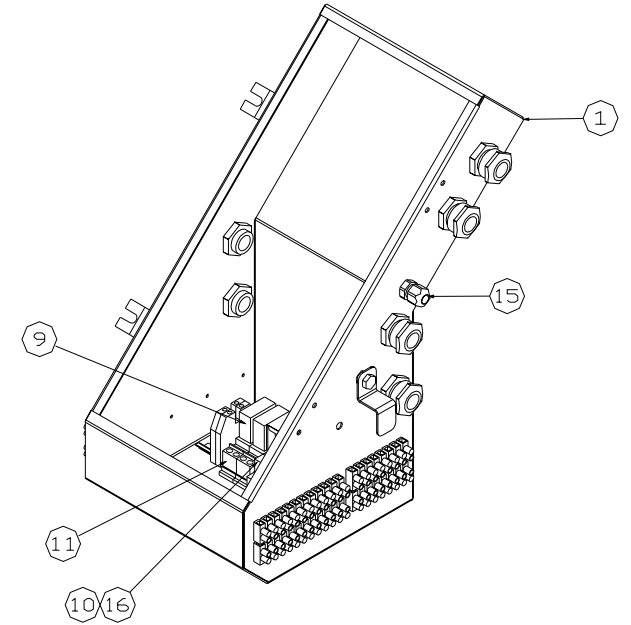
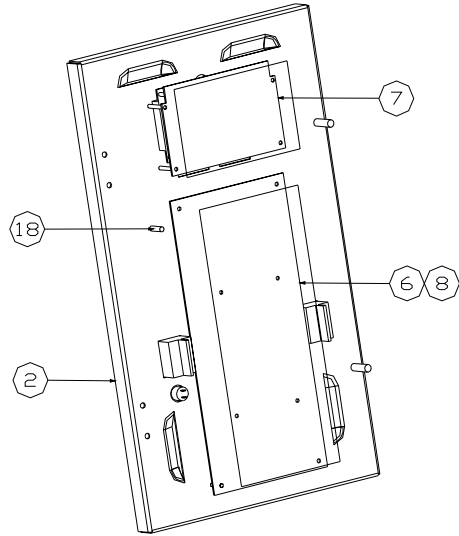
1.0	Casing	Page 3
1.1	Electrical Control Panel	Page 4
1.2	External fitting to case	Page 5
1.3	Heat Exchanger fittings	Page 6
1.4	Assembly 1	Page 7
1.5	Assembly 2	Page 8

STEP "1": CASING



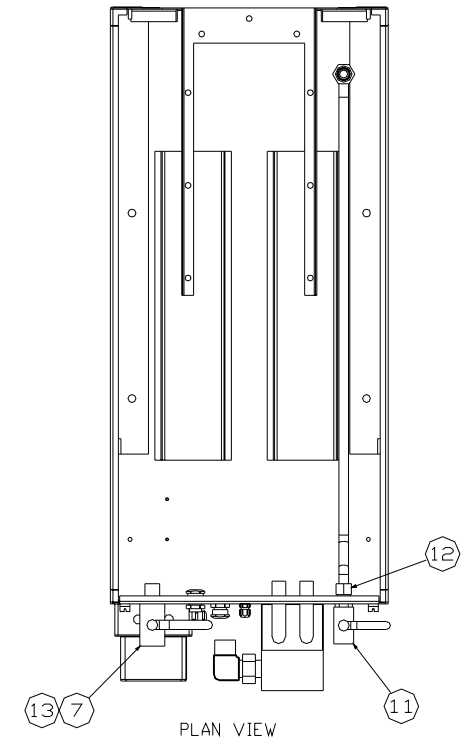
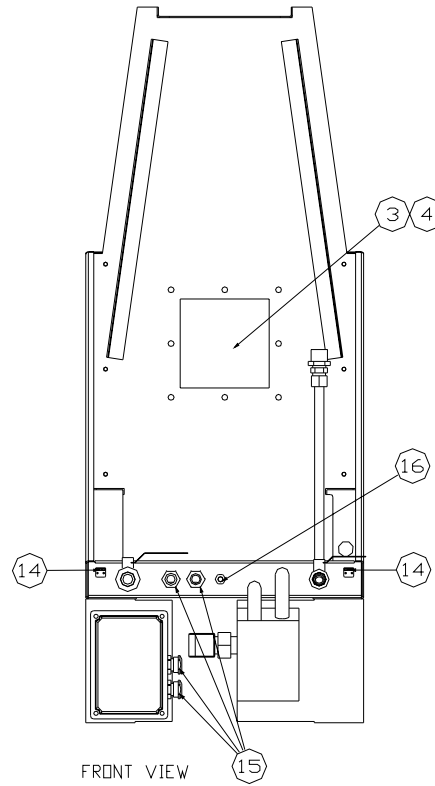
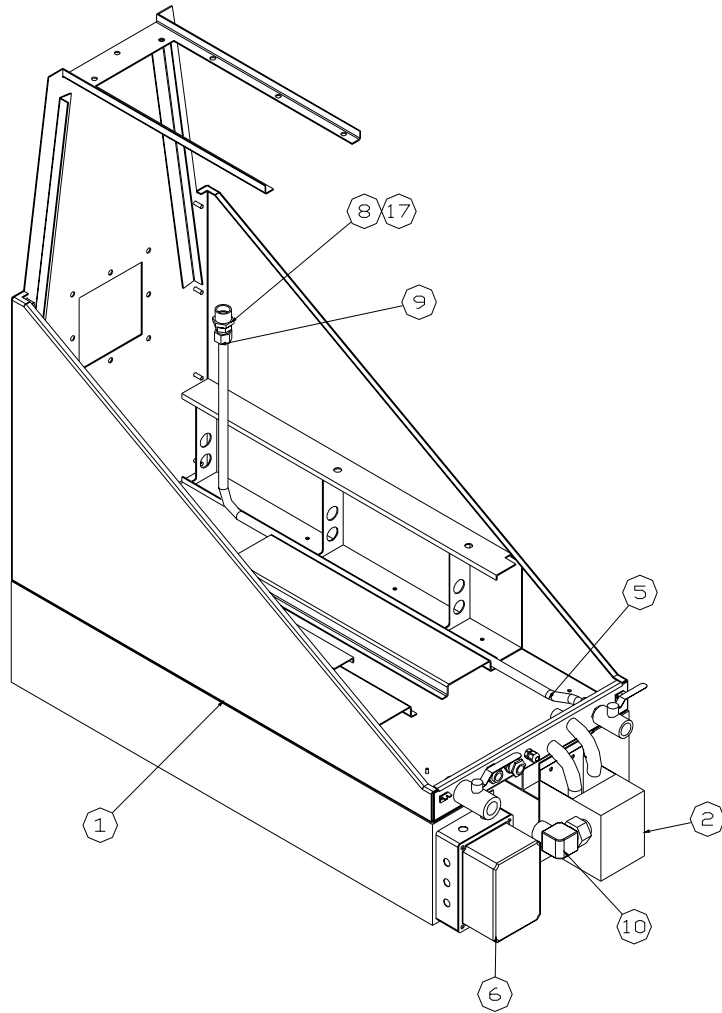
ITEMPART No	DESCRIPTION	QTY
1	GFH_80_1 80kg/h GFH CHASSIS ASSY	1
2	GFH_80_2L 80kg/h GFH BOILER LH SUPPORT CHANNELS	1
3	GFH_80_2R 80kg/h GFH BOILER RH SUPPORT CHANNELS	1
4	GFH_80_11L 80kg/h GFH CASING LH SUPPORT CHANNELS	1
5	GFH_80_11R 80kg/h GFH CASING RH SUPPORT CHANNELS	1

STEP *2*: CONTROL PANEL



ITEMPART No	DESCRIPTION	QTY
1 GFH_80_13	GFH CONTROL BOX REAR ASSY	1
2 GFH_80_14	GFH CONTROL BOX FRONT ASSY	1
3	M300120 LABEL KEYPAD or 1190020 RESET BUTTON	1
4	M300119 LABEL FACIA GFH	1
5	1110401 RED NEON LAMP	1
6	1150630 ECHELON E/BOIL MOTHER BOARD	1
7	1150631 ECHELON DISPLAY BOARD or 1150634 ECHELON SETUP RESISTOR BOARD	1
8	1150632 ECHELON D/B FAN SPEED CONTROL	1
9	1170026 RELAY OMERON 240V AC COIL 2 POLE	2
10	1170030 SAFETY RELAY 4 POLE (10-RMS/12DC)	1
11	1170092 RELAY BASE FOR OMERON 2 POLE RELAY	2
12	1190020 RESET BUTTON	1
13	1190061 SWITCH ROCK DPCO 3PSN	1
14	8050087 22mm CABLE GLAND	4
15	8210291 M12 CABLE GLAND	1
16	8210003 DIN RAIL	1
17	J21200018 12 WAY CONNECTOR (PLUG+SOCKET)	1
18	M4x16mm LONG BRASS EARTH STUD	1

STEP *3*: PLINTH DETAILS

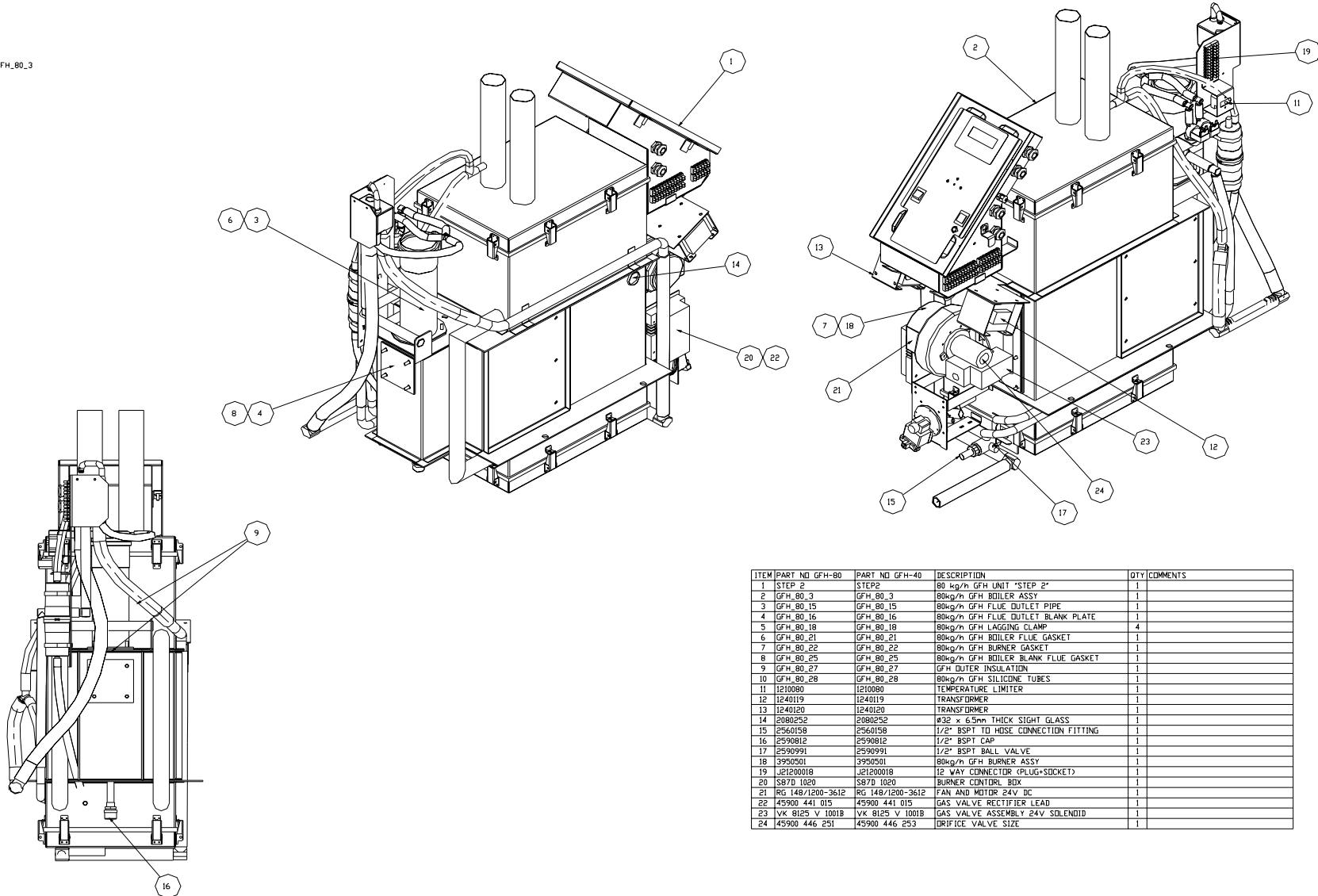


VERTICAL FLUE OPTION SHOWN IN THESE VIEWS

ITEM	PART No	DESCRIPTION	QTY
1	STEP 1	80 kg/h GFH UNIT "STEP 1"	1
2	GFH_80_12	80kg/h GFH TUNDISH	1
3	GFH_80_17	80kg/h GFH HOR FLUE BLANK PLATE	1
	or		
4	GFH_80_21	80kg/h GFH HOR FLUE CONNECTION PLATE	1
5	GFH_80_23	GFH FEED PIPE	1
6	1050160	ELECTRIC BOX	1
7	2520028	3/4" BSPT NIPPLE BRASS	1
8	2590553	3/4" BSPT TO 1/2" BUSH	1
9	2590876	1/2" BSPT TO 15mm COMPRESSION FITTING	1
10	2590893	1" BSPT TO 28mm COMPRESSION FITTING	1
11	2590991	1/2" BSPT BALL VALVE	1
12	2591190	1/2" BSPT TO 15mm BULKHEAD COMPR FITTING	1
13	2620525	3/4" BSPT BALL VALVE	1
14	4080007	DZUS STRIKER TL110-1-5	2
15	8050087	20mm CABLE GLAND	4
16	8050291	12mm CABLE GLAND	1
17	M520250	1/2" BSPT FLEXIBLE PIPE	1

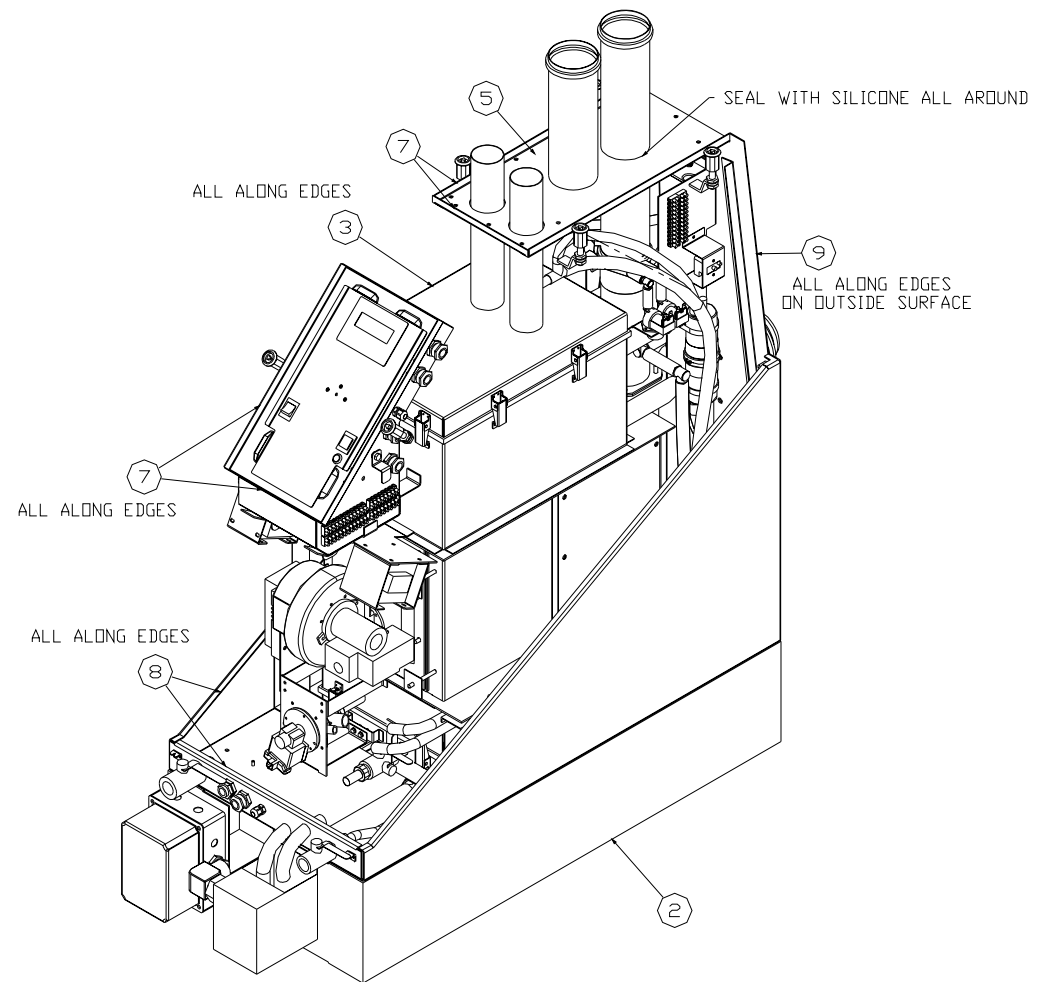
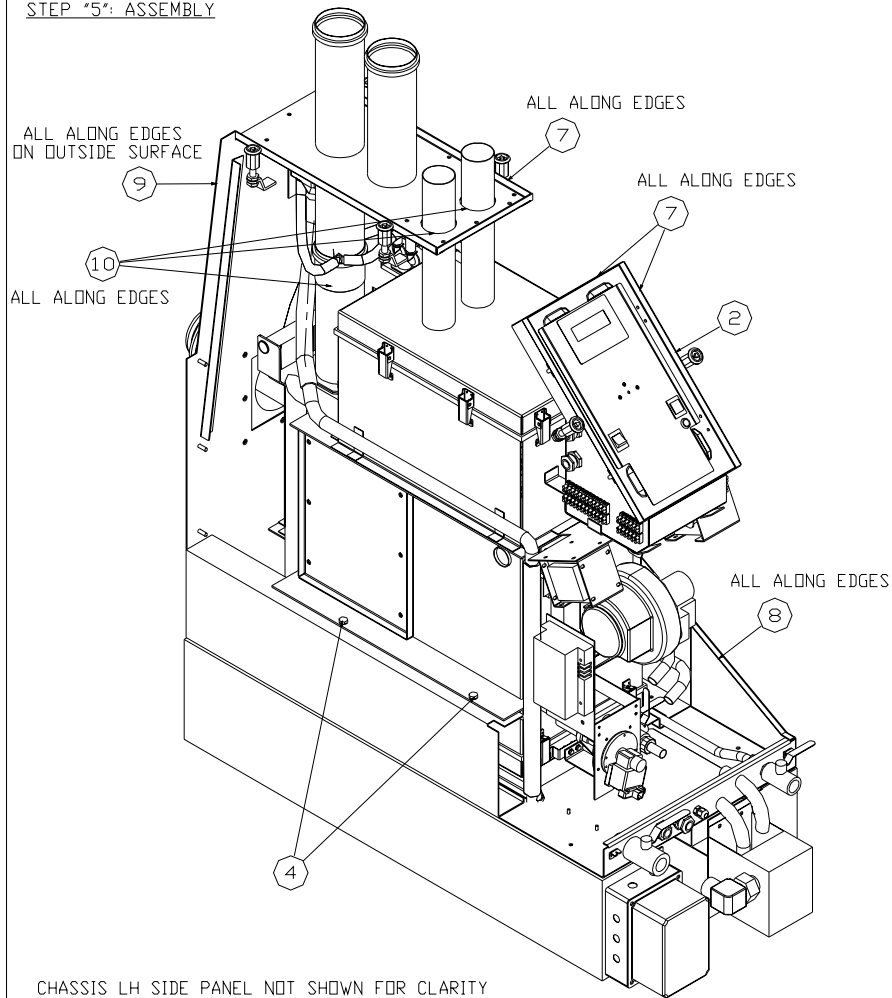
STEP 4

FIX COMPONENTS ON GFH_80_3



ITEM	PART NO GFH-80	PART NO GFH-40	DESCRIPTION	QTY	COMMENTS
1	STEP 2	STEP2	80 kg/h GFH UNIT "STEP 2"	1	
2	GFH_80_3	GFH_80_3	80kg/h GFH BOILER ASSY	1	
3	GFH_80_15	GFH_80_15	80kg/h GFH FLUE OUTLET PIPE	1	
4	GFH_80_16	GFH_80_16	80kg/h GFH FLUE OUTLET BLANK PLATE	1	
5	GFH_80_18	GFH_80_18	80kg/h GFH LAGGING CLAMP	4	
6	GFH_80_21	GFH_80_21	80kg/h GFH BOILER FLUE GASKET	1	
7	GFH_80_22	GFH_80_22	80kg/h GFH BURNER GASKET	1	
8	GFH_80_25	GFH_80_25	80kg/h GFH BOILER BLANK FLUE GASKET	1	
9	GFH_80_27	GFH_80_27	GFH OUTER INSULATION	1	
10	GFH_80_28	GFH_80_28	80kg/h GFH SILICONE TUBES	1	
11	1210080	1210080	TEMPERATURE LIMITER	1	
12	1240119	1240119	TRANSFORMER	1	
13	1240120	1240120	TRANSFORMER	1	
14	2080252	2080252	ø32 x 6.5mm THICK SIGHT GLASS	1	
15	2560158	2560158	1/2" BSPT TO HOSE CONNECTION FITTING	1	
16	2590812	2590812	1/2" BSPT CAP	1	
17	2590991	2590991	1/2" BSPT BALL VALVE	1	
18	3950501	3950501	80kg/h GFH BURNER ASSY	1	
19	J21200018	J21200018	12 WAY CONNECTOR (PLUG+SOCKET)	1	
20	S87D 1020	S87D 1020	BURNER CONTROL BOX	1	
21	RG 148/1200-3612	RG 148/1200-3612	FAN AND MOTOR 24V DC	1	
22	45900 441 015	45900 441 015	GAS VALVE RECTIFIER LEAD	1	
23	V4K 8125 V 1001B	V4K 8125 V 1001B	GAS VALVE ASSEMBLY 24V SOLENOID	1	
24	45900 446 251	45900 446 253	DRIFICE VALVE SIZE	1	

STEP *5*: ASSEMBLY

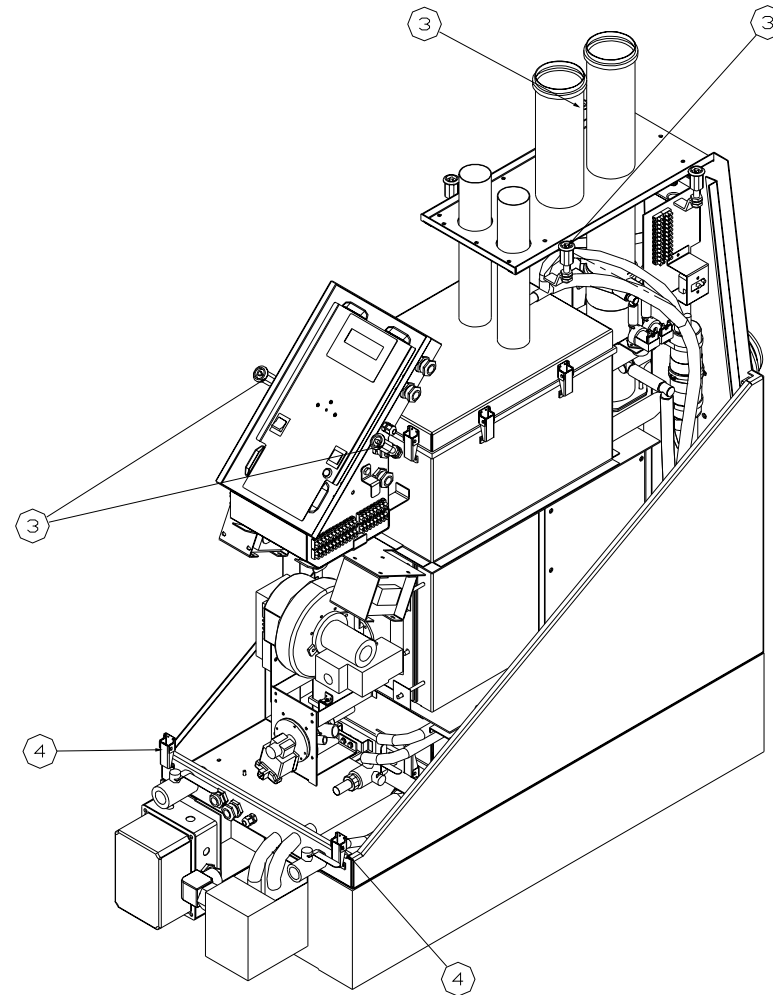
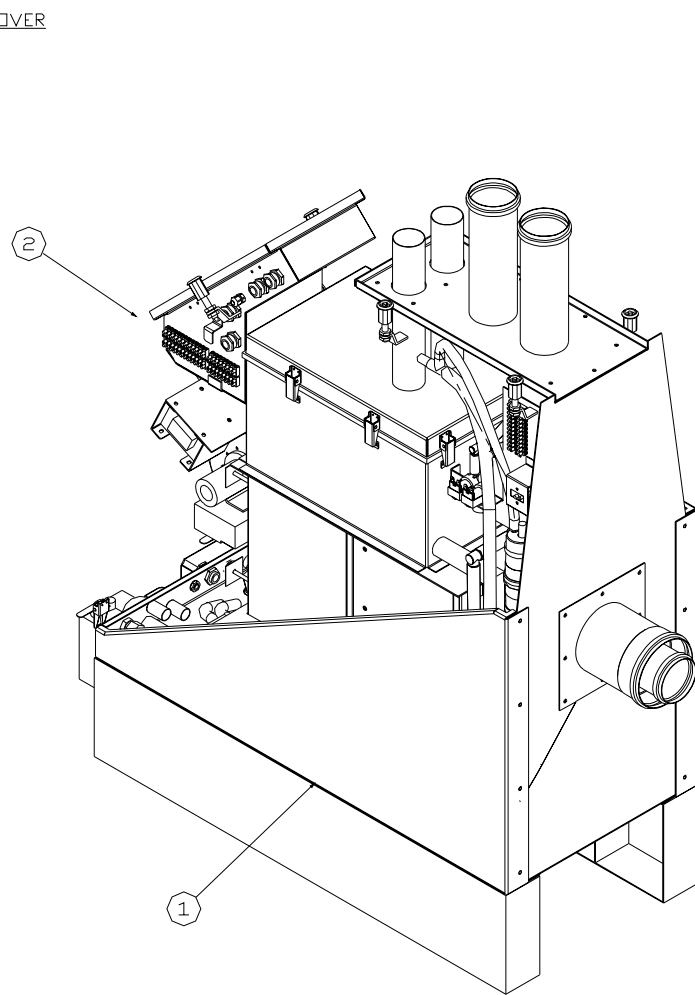


VERTICAL FLUE OPTION SHOWN IN THESE VIEWS

(6) TO BE SCREWED TO GAS BURNER VALVE AND TO 3/4" GAS BALL VALVE

ITEM	GFH-80 PART No	GFH-40 PART No	DESCRIPTION	QTY
1	STEP 2	STEP 2	80kg/h GFH UNIT *STEP 3*	1
2	STEP 3	STEP 3	80kg/h GFH UNIT *STEP 3*	1
3	STEP 4	STEP 4	80kg/h GFH UNIT *STEP 4*	1
4	4100409	4100409	M8x40mm S/S BOLT	4
5	GFH_80_8 or GFH_80_9	GFH_80_8 or GFH_40_9	80kg/h GFH VERT FLUE BLANK PLATE or GFH VERT FLUE CONNECTION PLATE	1
6	2160323	2160323	3/4" BSP FLEXIBLE GAS PIPE	1
7	3910028	3910028	FRONT CONTACT SELF GRIPPING SEAL	3
8	3910029	3910029	SIDE CONTACT SELF GRIPPING SEAL	2.5
9	2160126	2160126	2" WIDE FELT STRIP	1
10	8100010	8100010	EDGING STRIP	0.3

STEP *6*: COVER



VERTICAL FLUE OPTION SHOWN IN THESE VIEWS

ITEM	PART No	DESCRIPTION	QTY
1	STEP 5	80 kg/h GFH UNIT "STEP 4"	1
2	GFH_80_5	80kg/h GFH CASING COVER ASSY	1
3	4030018 AND 4030019	DZUS PAWL LATCHES 43 SERIES	4
4	4080007	DZUS LATCHES TL110-1	2

Vapac Humidity Control Limited reserve the right to change the design or specification of the equipment described in this manual without prior notice.