

These instructions contain operating information and should be left with the unit.

**Vapac**®

## **LR Resistance Heater Units**

**Part List**  
Edition 3.0

**VapaNet**

### **Installation in countries covered by EC Directives:**

This product will meet the requirements of the Low Voltage Safety Directive 73 / 23 EEC and the EMC Directive 89 / 336 EEC when installed in accordance with the instructions contained in this manual. Failure to comply with these instructions may invalidate the manufacturer's warranty or any certificate/declaration of conformance requested to be supplied with the unit.

Figure 1

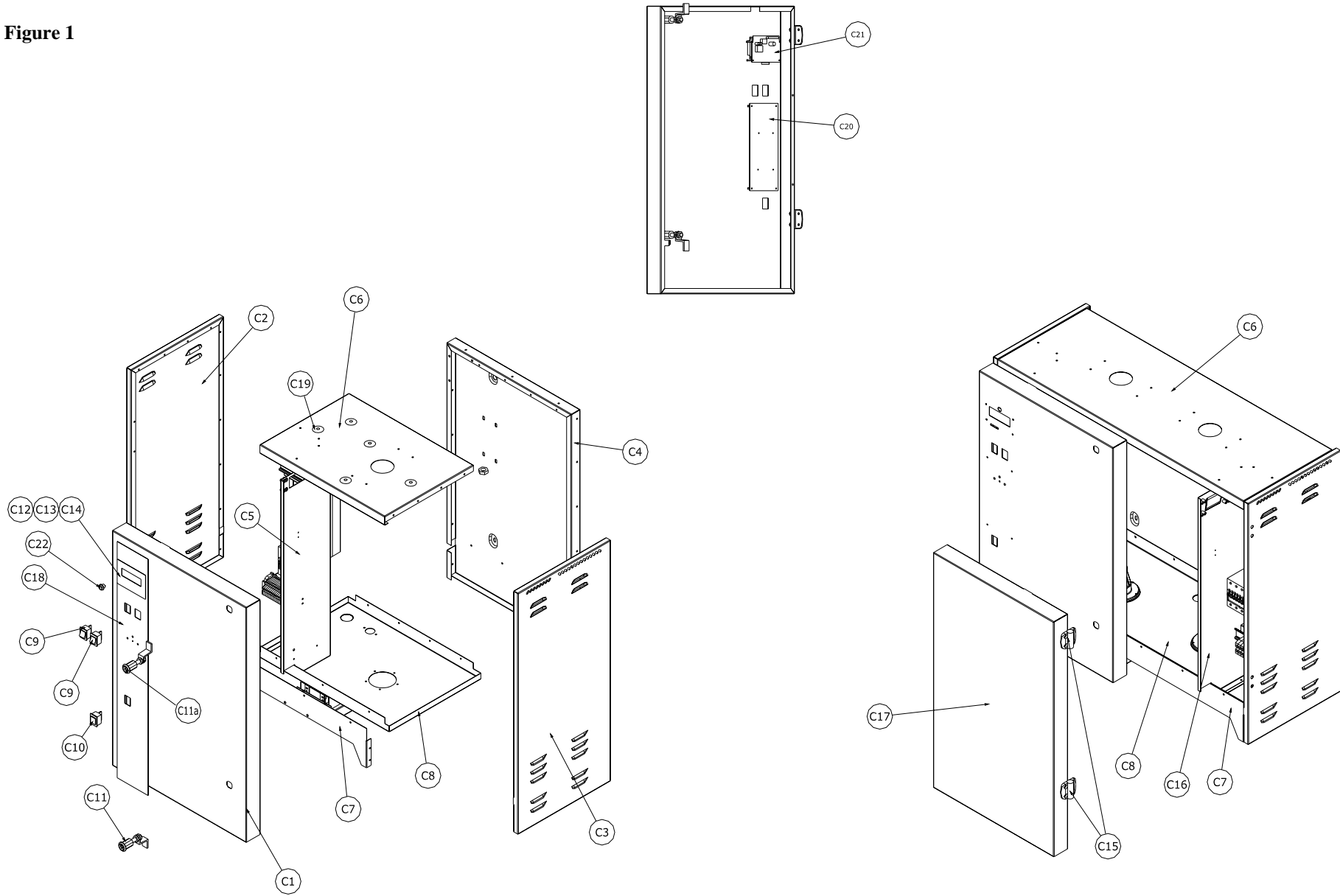


Table 1

Reference	Description	Unit						
		Sz 2				Sz 4		
		LR05	LR10	LR20	LR30	LR40	LR50	LR60
C1	Vapac Cabinet LH Door	BZB037-02				BZB037-02		
C2	Vapac Cabinet RH Panel	BZB038-02				BZB038-02		
C3	Vapac Cabinet LH Panel	BZB039-02				BZB039-04		
C4	Vapac Cabinet Back Panel	BZB040-02				BZB040-04		
C5	Vapac Cabinet LH Elec Panel	BZB042-04				BZB042-04		
C6	Vapac Cabinet Top Panel	BZB043-02				BZB043-04		
C7	Vapac Cabinet Front Panel	BZB051-02				BZB051-04		
C8	Vapac Cabinet Drip Tray	BZB977-02-CC				BZA977-04-CC		
C9	Switch DP On-Off-Momentary (On)	1190041				1190041		
C10	Lamp Neon Red	1110401				1110401		
C11	Latch	4030035				4030035		
C12	Latch	4030034				4030034		
C13*	Label Keypad	M300120				M300120		
C14**	Label Blank	M300128				M300128		
C15	Hinge	4020181				4020181		
C16	Vapac Cabinet RH Elec Panel	N/A				BZB061-02		
C17	Vapac Cabinet RH Door	N/A				BZB060-02		
C18	Label Fascia	M300121				M300121		
C19	Cap	8010351				N/A		
C20	Vapac Cabinet Hose Support Bracket	BZB065				BZB065		
C21	Vapac Control PCB	1150630-1				1150630-1		
C22*	Vapac Display PCB #	1150631-1-M1				1150631-1-M1		
C23**	Switch Push Min. Sealed	1190020				1190020		

\* Only fitted If Display Fitted

\*\* Only fitted If Display Not Fitted

#	Standard Language Set	GB	CZ	NL	F	D	GR	I	PL	P	E
	Alternative Language Set (1150631-1-M2)	GB	DK	F	D	IS	N	FIN	S		

Figure 2

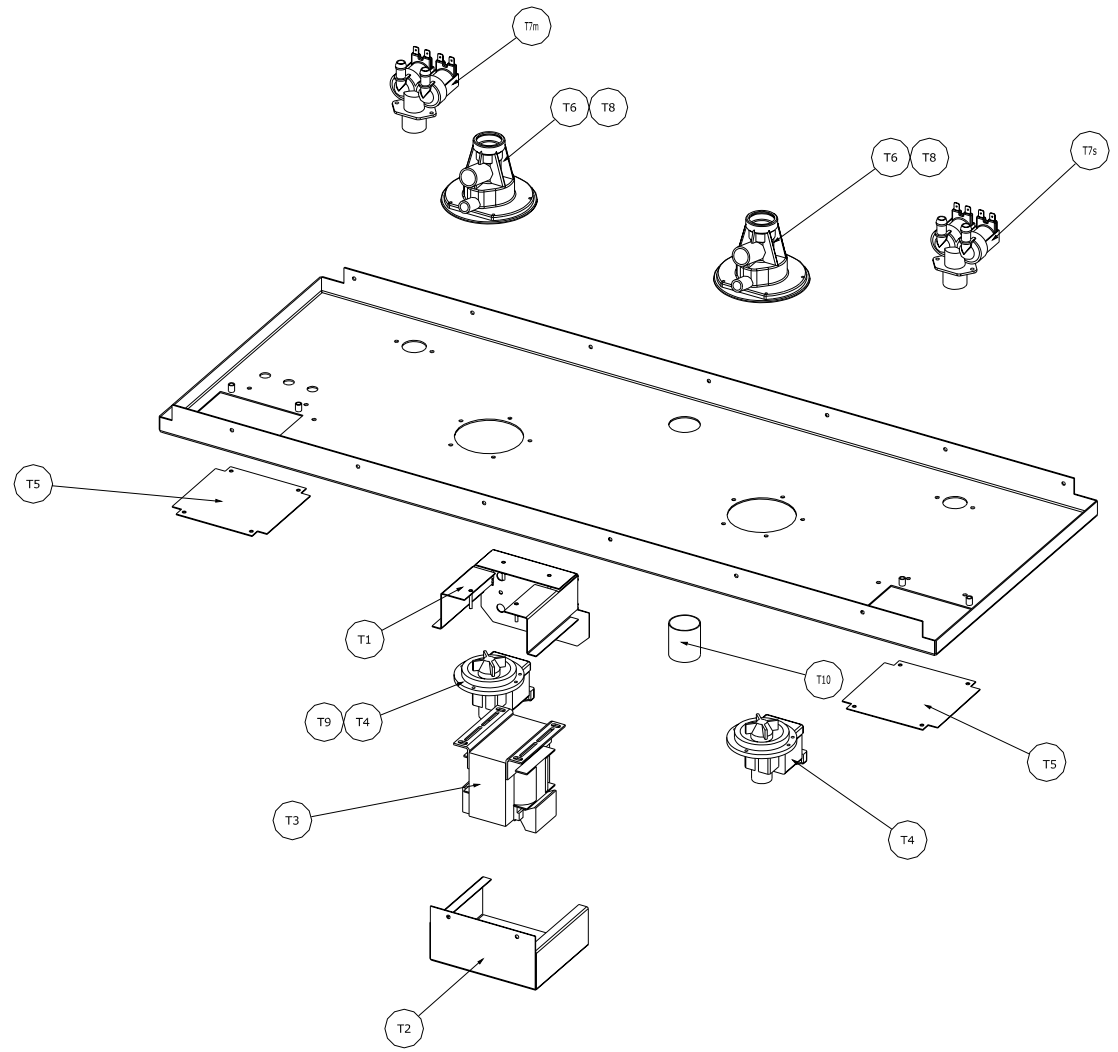
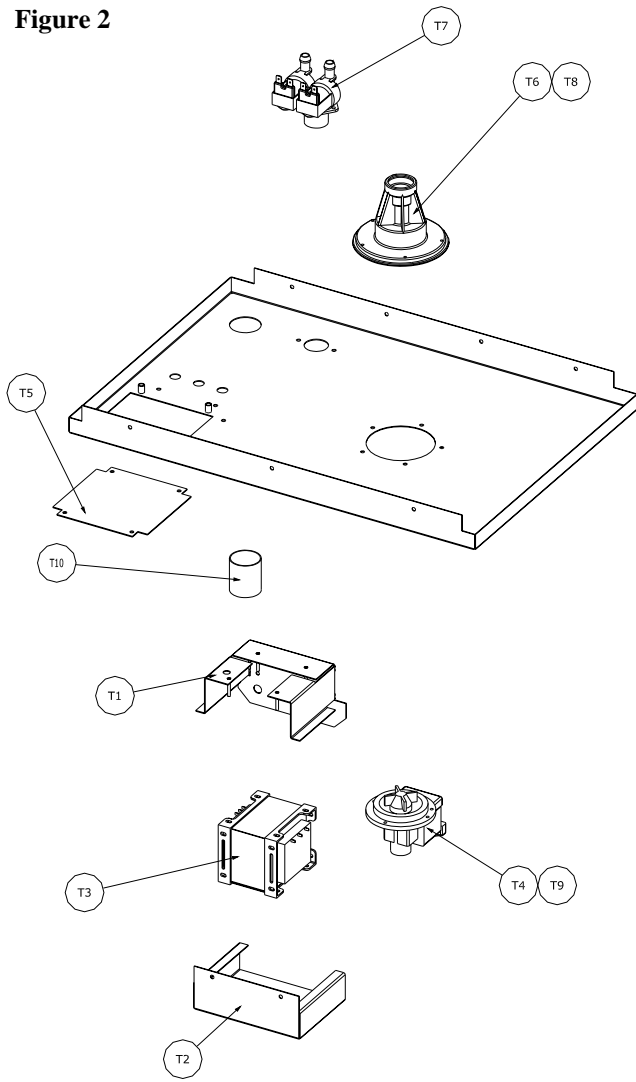
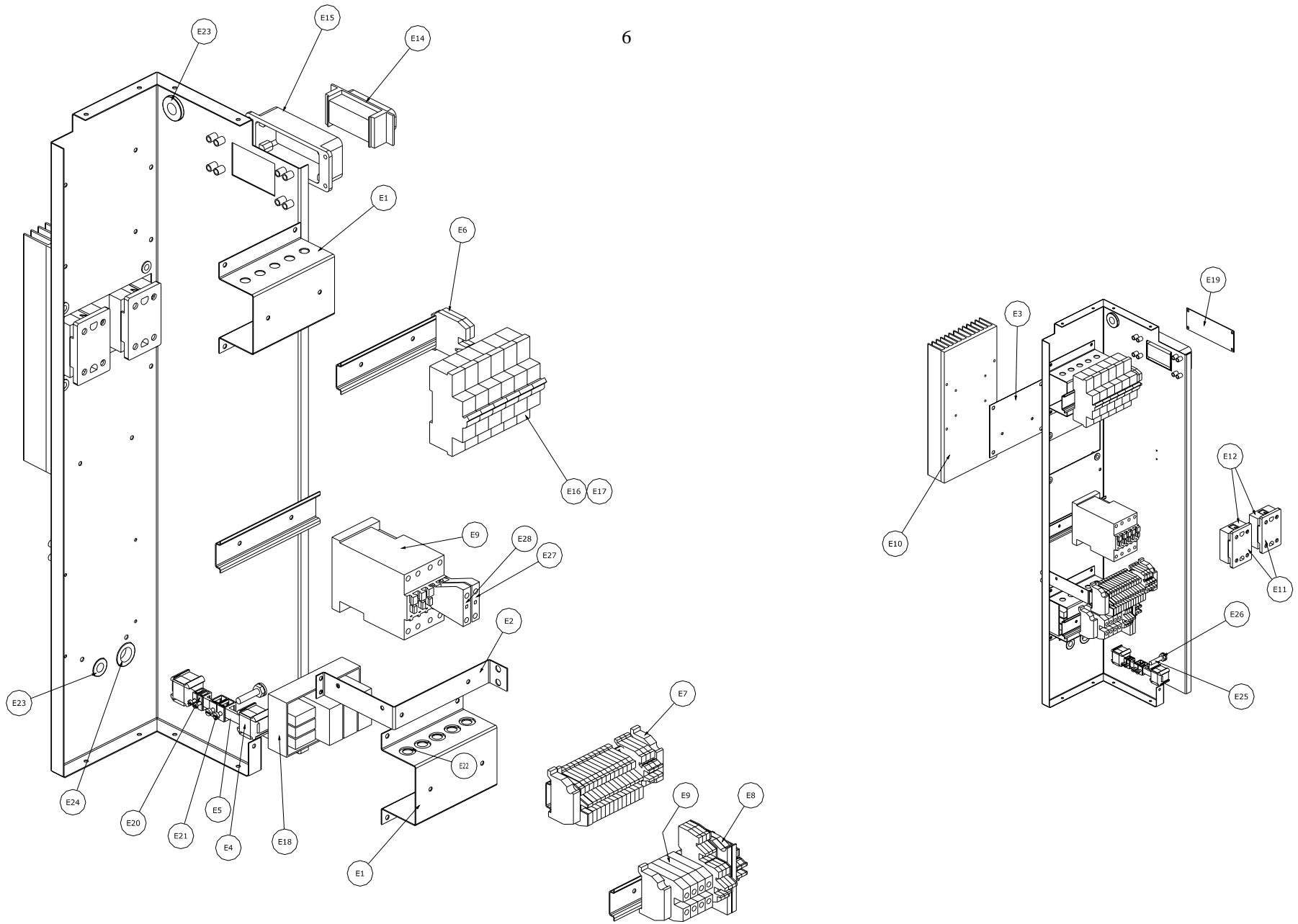


Table 2

Reference	Description	Unit						
		Sz 2				Sz 4		
		LR05	LR10	LR20	LR30	LR40	LR50	LR60
T1	Vapac Transformer Cover Base	BZB003-1				BZB003-2		
T2	Vapac Transformer Cover	BZB062-01				BZA994-2		
T3	Transformer	1240122				1240119		
T4	Drain Pump *	2600070				2600070		
T5	Gland Plate	BZB064				BZB064		
T6	Feed/Drain Manifold	3910195				3910195		
T7	Valve Inlet (Twin Outlet) m/s	2560351	2620351	2620352	2620353	2620352 / 2620352	2620353 / 2620352	2620353 / 2620353
T8	Gasket	2160120				2160120		
T9	Pump Cover	3910112				3910112		
T10	35 x 50 SS Pipe	5080444				5080444		

\* Standard 50 Hz Pump  
60 Hz Pump = 2600071

Figure 3



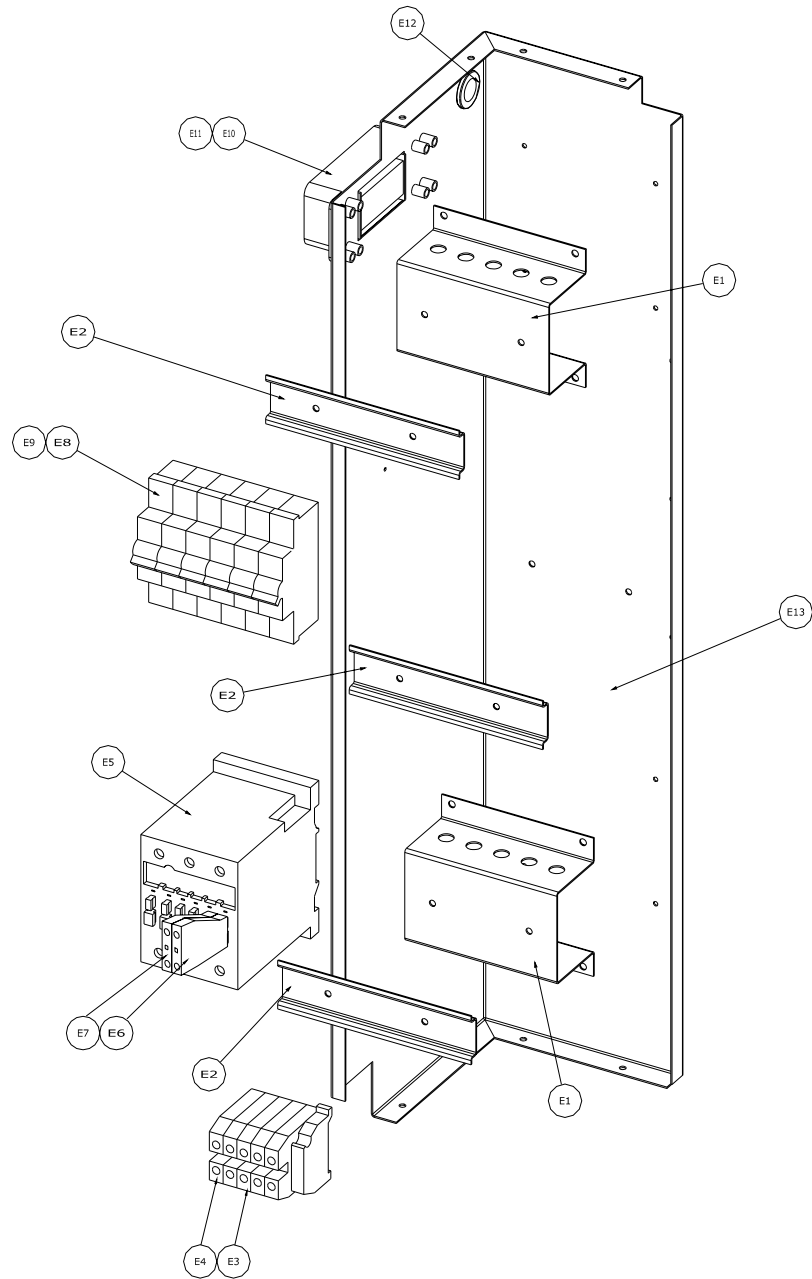
**Table 3 NB Parts listed are for standard units – For “Low-Voltage” units check with VHCL for correct Contactor (E13) Fuse (E17) Insert (E14) & Housing (E15)**

Reference	Description	Unit						
		Sz 2				Sz 4		
		LR05	LR10	LR20	LR30	LR40	LR50	LR60
E1	Vapac Cabinet Terminal & Filter Bracket	BZB067	BZB067	BZB067	BZB067	BZB067	BZB067	BZB067
E2	Vapac Cabinet Terminal Bracket	BZB063	BZB063	BZB063	BZB063	BZB063	BZB063	BZB063
E3*	Vapac Cabinet Blanking Plate (SSR)	BZB068	BZB068	BZB068	BZB068	BZB068	BZB068	BZB068
E4	Support Bracket	1200224	1200224	1200224	1200224	1200224	1200224	1200224
E5	Earth Rail	BZA963-3	BZA963-3	BZA963-3	BZA963-3	BZA963-3	BZA963-3	BZA963-3
E6	Terminal Assembly Top	M570134	M570134	M570134	M570134	M570134	M570134	M570134
E7	Terminal Assembly Control	M570132	M570132	M570132	M570132	M570132	M570132	M570132
E8	Terminal Assembly Mains	M570131	M570131	M570131	M570131	M570131	M570131	M570131
E9	Mains Terminals	1200421	1200421	1200421	1200421	1200421	1200421	1200421
E10**	Heat Sink	1010073-D	1010073-D	1010073-D	1010073-D	1010073-D	1010073-D	1010073-D
E11**	Safety Cover SSR	1070400	1070400	1070400	1070400	1070400	1070400	1070400
E12**	Solid State Relay	1170148	1170148	1170148	1170148	1170148	1170148	1170148
E13	Contactor	1060260	1060260	1060263	1060263	1060263	1060263	1060263
E14	Insert	N/A	1140603	1140603	1140613	1140603	1140613	1140613
E15	Surface Mounted Housing	N/A	1140604	1140604	1140614	1140604	1140614	1140614
E16	Fuse Holder	1080131	1080131	1080131	1080131	1080131	1080131	1080131
E17	Fuse (Rating)	1080149 (16A)	1080149 (16A)	1080149 (16A)	1080150 (20A)	1080149 (16A)	1080150 (20A)	1080150 (20A)
E18**	EMC Filter	M560997	M560999	M560999	M560999	M560999	M560999	M560999
E19	Blanking Plate (Socket)	BZB152	N/A	N/A	N/A	N/A	N/A	N/A
E20	Clamp Screw ZB4	1200221	1200221	1200221	1200221	1200221	1200221	1200221
E21	Clamp Screw ZB16	1200222	1200222	1200222	1200222	1200222	1200222	1200222
E22	Grommet Rubber Open 6.3 Cable 9.5 Panel	8010082	8010082	8010082	8010082	8010082	8010082	8010082
E23	Grommet Rubber Open 12.5 Cable 20 Panel	8010145	8010145	8010145	8010145	8010145	8010145	8010145
E24	Grommet Rubber Open 19 Cable 25 Panel	8010147	8010147	8010147	8010147	8010147	8010147	8010147
E25	Brass Bolt	4100367	4100367	4100367	4100367	4100367	4100367	4100367
E26	Brass Nut	4110026	4110026	4110026	4110026	4110026	4110026	4110026
E27	Contactor Aux. N.O.	1060270	1060270	1060270	1060270	1060270	1060270	1060270
E28	Contactor Aux. N.C.	1060271	1060271	1060271	1060271	1060271	1060271	1060271

\* Units without SSRs only

\*\* Units with SSRs only

Figure 4





**Table 4 NB Parts listed are for standard units – For “Low-Voltage” units check with VHCL for correct Contactor (E5) Fuse (E8) Insert (E10) & Housing (E11)**

Reference	Description	Unit						
		Sz 2				Sz 4		
		LR05	LR10	LR20	LR30	LR40	LR50	LR60
E1	Vapac Cabinet Terminal & Filter Bracket	N/A				BZB067	BZB067	BZB067
E2	Terminal / Contactor Rail	N/A				M570135	M570135	M570135
E3	Mains Terminal	N/A				1200421	1200421	1200421
E4	Earth Terminal	N/A				1200411	1200411	1200411
E5	Contactor	N/A				1060263	1060263	1060263
E6	Contactor Aux (N.C.)	N/A				1060271	1060271	1060271
E7	Contactor Aux (N.O.)	N/A				1060270	1060270	1060270
E8	Fuse Holder	N/A				1080131	1080131	1080131
E9	Fuse (Rating)	N/A				1080149 (16A)	1080149 (16A)	1080150 (20A)
E10	Insert	N/A				1140603	1140603	1140603
E11	Surface Mounted Housing	N/A				1140604	1140604	1140604
E12	Grommet Rubber Open 12.5 Cable 20 Panel	N/A				8010145	8010145	8010145
E13	Cabinet Electrical Section	N/A				BZB061-03	BZB061-03	BZB061-03

10

Figure 5

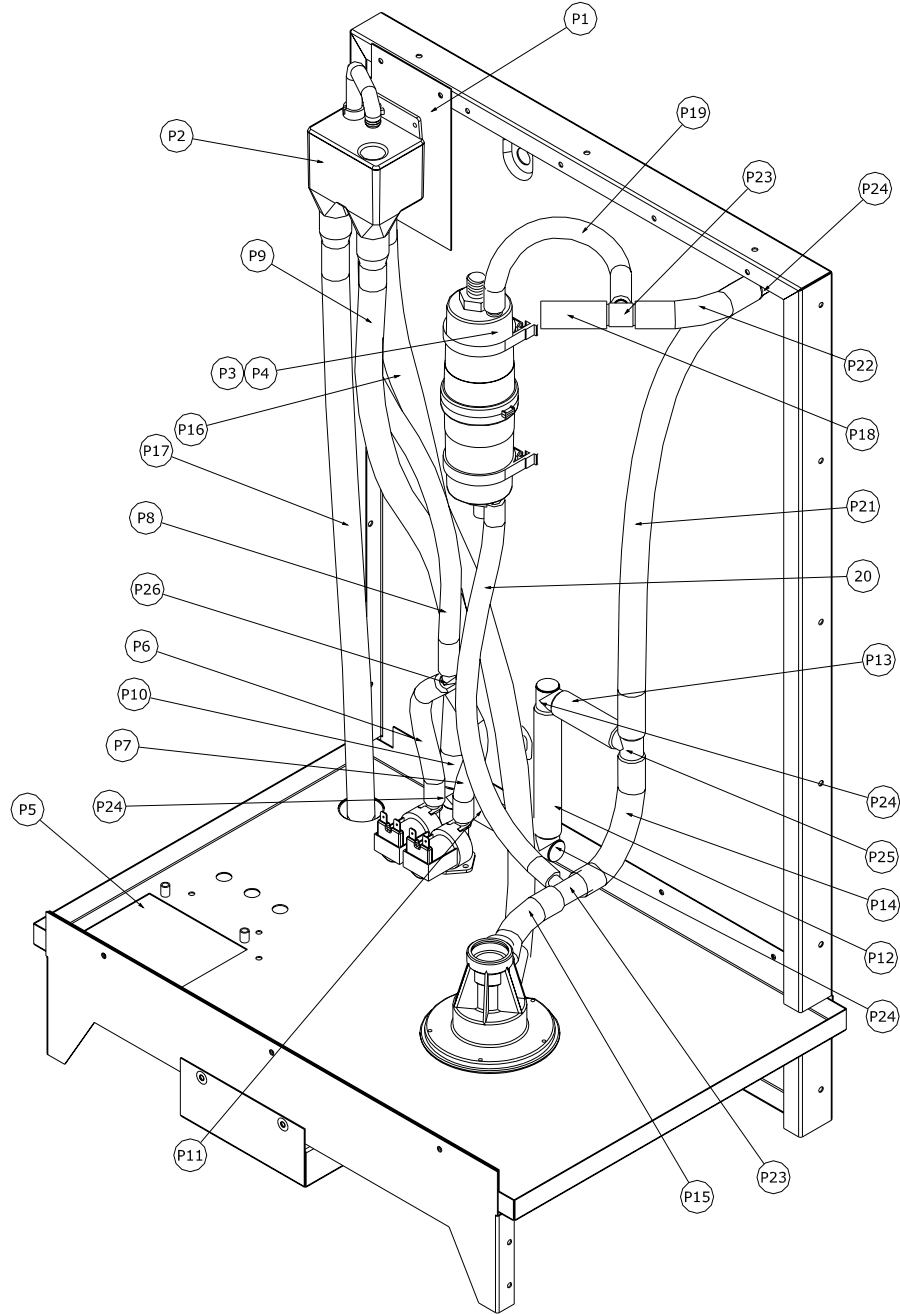


Table 5

Reference	Description	Unit			
		Sz 2			
		LR05	LR10	LR20	LR30
P1	Vapac Cabinet Tundish Fill Cup Bracket	BZB066			
P2	Tundish Fill Cup	3910168			
P3	Float Chamber	3910190			
P4	Float Switch	1190175			
P5	Vapac Cabinet Gland Plate	BZB064			
P6	9 mm I/D Silicone Tube	2560029			
P7	9 mm I/D Silicone Tube	2560029			
P8	9 mm I/D Silicone Tube	2560029			
P9	22 mm I/D Silicone Tube	2560030			
P10	16 mm I/D Silicone Tube	2560028			
P11	16 mm I/D Silicone Tube	2560028			
P12	16 mm I/D Silicone Tube	2560028			
P13	16 mm I/D Silicone Tube	2560028			
P14	16 mm I/D Silicone Tube	2560028			
P15	16 mm I/D Silicone Tube	2560028			
P16	13 mm I/D Silicone Tube	2560026			
P17	22 mm I/D Silicone Tube	2560029			
P18	13 mm I/D Silicone Tube	2560026			
P19	9 mm I/D Silicone Tube	2560029			
P20	9 mm I/D Silicone Tube	2560029			
P21	13 mm I/D Silicone Tube	2560026			
P22	13 mm I/D Silicone Tube	2560026			
P23	Tee Reducing 15x6x15	2560097			
P24	Elbow Barbed Nylon WS16	2560090			
P25	Tee Nylon 5/8" O/D TS16	2560092			
P26	Y-Nylon Equal 10 mm YS10	2560098			

Figure 6

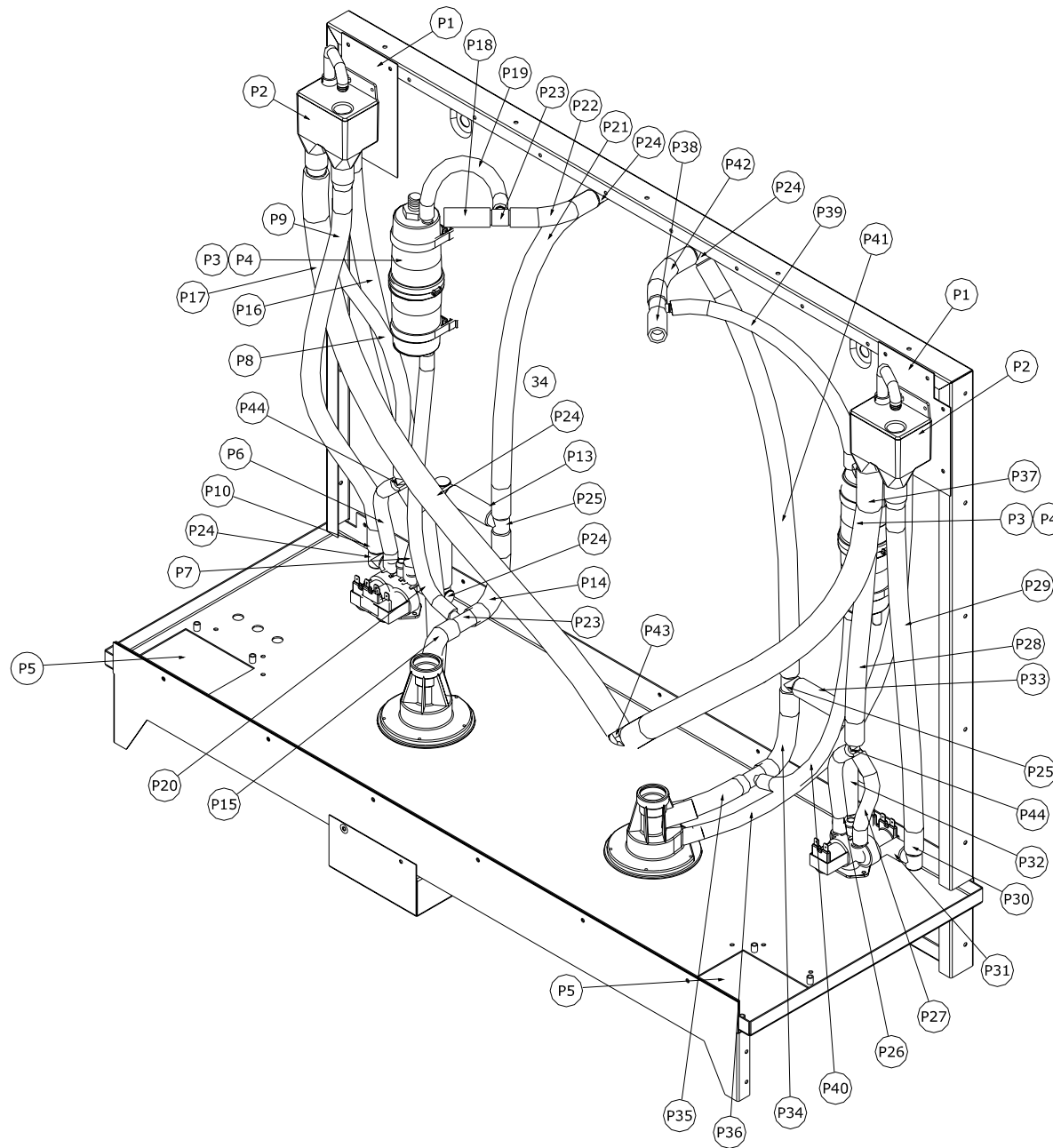
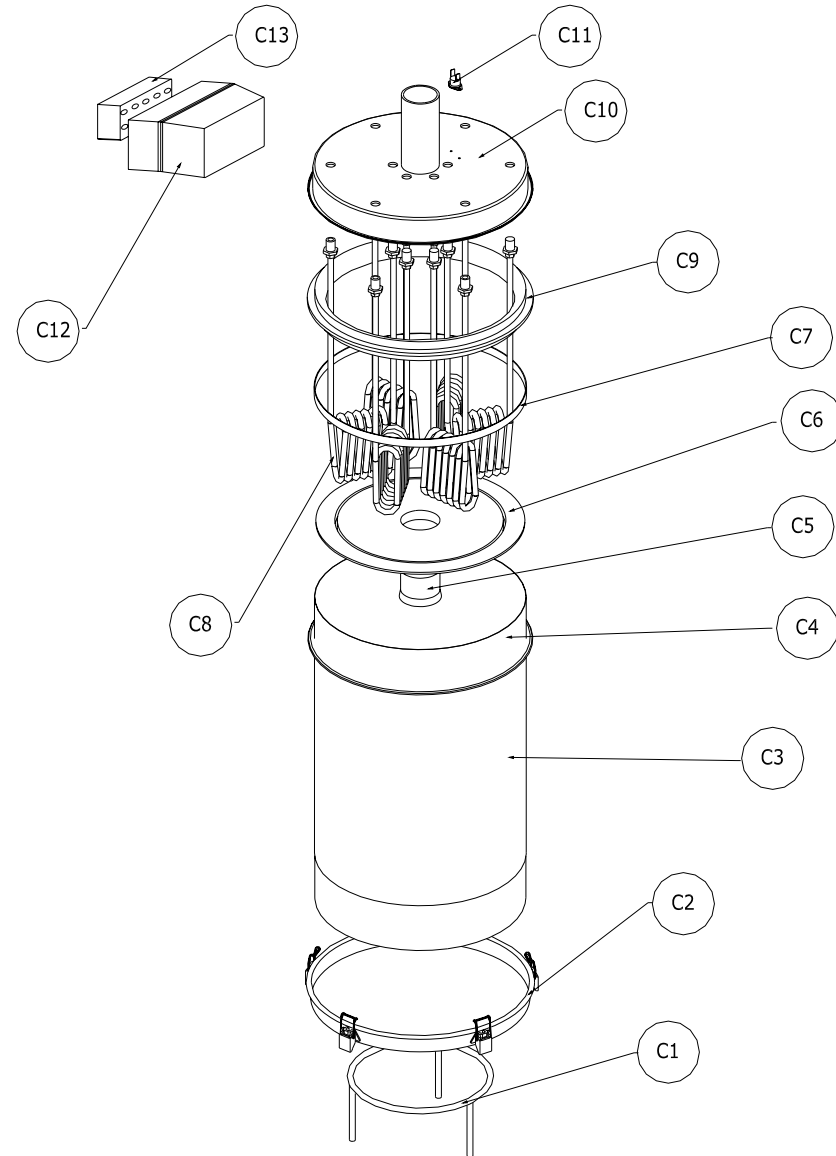


Table 6

Reference	Description	Unit		
		Sz 4		
		LR40	LR50	LR60
P1	Vapac Cabinet Tundish Fill Cup Bracket	BZB066		
P2	Tundish Fill Cup	3910168		
P3	Float Chamber	3910190		
P4	Float Switch	1190175		
P5	Vapac Cabinet Gland Plate	BZB064		
P6	9 mm I/D Silicone Tube	2560029		
P7	9 mm I/D Silicone Tube	2560029		
P8	9 mm I/D Silicone Tube	2560029		
P9	22 mm I/D Silicone Tube	2560030		
P10	16 mm I/D Silicone Tube	2560028		
P11	16 mm I/D Silicone Tube	2560028		
P12	16 mm I/D Silicone Tube	2560028		
P13	16 mm I/D Silicone Tube	2560028		
P14	16 mm I/D Silicone Tube	2560028		
P15	16 mm I/D Silicone Tube	2560028		
P16	13 mm I/D Silicone Tube	2560026		
P17	22 mm I/D Silicone Tube	2560029		
P18	13 mm I/D Silicone Tube	2560029		
P19	9 mm I/D Silicone Tube	2560029		
P20	9 mm I/D Silicone Tube	2560029		
P21	13 mm I/D Silicone Tube	2560026		
P22	13 mm I/D Silicone Tube	2560026		
P23	Tee Reducing 15x6x15	2560097		
P24	Elbow Barbed Nylon WS16	2560090		
P25	Tee Nylon 5/8" O/D TS16	2560092		
P26	9 mm I/D Silicone Tube	2560029		
P27	9 mm I/D Silicone Tube	2560029		
P28	9 mm I/D Silicone Tube	2560029		
P29	22 mm I/D Silicone Tube	2560030		
P30	16 mm I/D Silicone Tube	2560028		
P31	16 mm I/D Silicone Tube	2560028		
P32	16 mm I/D Silicone Tube	2560028		
P33	16 mm I/D Silicone Tube	2560028		
P34	16 mm I/D Silicone Tube	2560028		
P35	16 mm I/D Silicone Tube	2560028		
P36	13 mm I/D Silicone Tube	2560026		
P37	22 mm I/D Silicone Tube	2560029		
P38	13 mm I/D Silicone Tube	2560026		
P39	9 mm I/D Silicone Tube	2560029		
P40	9 mm I/D Silicone Tube	2560029		
P41	13 mm I/D Silicone Tube	2560026		
P42	13 mm I/D Silicone Tube	2560026		
P43	Y-Nylon Equal 22 mm	2560093		
P44	Y-Nylon Equal 10 mm YS10	2560098		

Figure 7



**Table 7**      **NB Parts listed are for standard units – For “Low-Voltage” units check with VHCL for correct Element (C8) Top (C10) Insert (C12) & Housing (C11)**

Reference	Description	Unit									
		Sz 2				Sz 4					
		LR05	LR10	LR20	LR30	LR40		LR50		LR60	
				Master	Slave	Master	Slave	Master	Slave		
C1	Cylinder Support Ring	M010240	M010240	M010240	M010240	M010240	M010240	M010240	M010240	M010240	M010240
C2	Cylinder Ring	M010251	M010251	M010252	M010252	M010252	M010252	M010252	M010252	M010252	M010252
C3	Cylinder (Base)	M010245	M010245	M010250	M010250	M010250	M010250	M010250	M010250	M010250	M010250
C4	Cylinder Liner (Side)	M010246	M010246	3910246	3910246	3910246	3910246	3910246	3910246	3910246	3910246
C5	Strainer moulding	3910021	3910021	3910021	3910021	3910021	3910021	3910021	3910021	3910021	3910021
C6	Cylinder Liner (Base)	3910110	3910110	3910109	3910109	3910109	3910109	3910109	3910109	3910109	3910109
C7	Liner Support Ring	M010233	M010233	M010234	M010234	M010234	M010234	M010234	M010234	M010234	M010234
C8	Element	1097021	1097020	1097020	1097021	1097020	1097020	1097021	1097020	1097021	1097021
C9	Seal	3910172	3910172	3910173	3910173	3910173	3910173	3910173	3910173	3910173	3910173
C10	Cylinder (Top)	M010246	M010247	M010253	M010254	M010253	M010253	M010254	M010253	M010254	M010254
C11	Temperature Limiter	1210080	1210080	1210080	1210080	1210080	1210080	1210080	1210080	1210080	1210080
C12	Housing (Free)	N/A	1140601	1140601	1140611	1140601	1140601	1140611	1140601	1140611	1140611
C13	Insert	N/A	1140602	1140602	1140612	1140602	1140602	1140612	1140602	1140612	1140612

Part No: 0411065

Issue: 3.0

Dated: July 2006